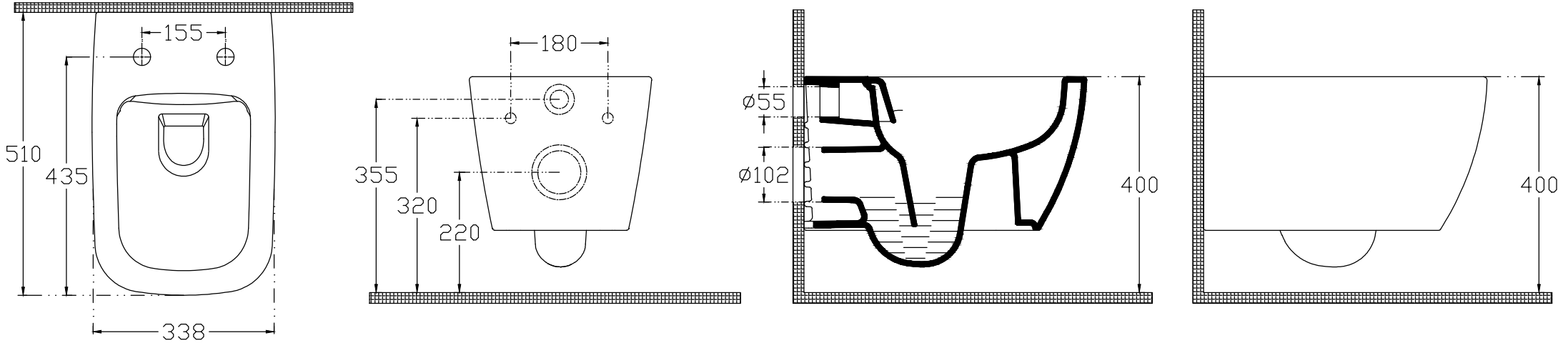




ISVEA

1962 ITALIA

TECHNICAL DRAWING / TEKNİK ÇİZİM



CODE / KOD : 10VA02001

DESCRIPTION / AÇIKLAMA : VEA WALL HUNG CLOSET / VEA ASMA KLOZET

TOLERANCE / TOLERANS : 100 mm \pm 1 %